

Rocky Mountain™
RADAR



RMR-C450

Radar and Laser Detector
Owners Manual

SPECIFICATIONS:

Radar & Laser Detector:

Frequencies: 10.525 GHz
24.125 GHz
33-36 GHz
904 Nano-meter

Sensitivity: X-112 Dbm
K-110 Dbm
Ka-wide-102 Dbm
Laser < 200 nano-watt

Alarm: Separate for each Band
Variable alarm for Range

Controls: Volume, On/Off, Dim, Mute,
City/Highway, Test

VG-2, VG-3: Frequency Plan

Size: 1.4" x 3.0" x 4.4"

The RMR-C450 model is a full-featured radar and laser detector.

The radar detector is a dual conversion scanning superheterodyne receiver with separate alarms for each of the radar bands, dim function, city/highway and mute select. It detects front and rear laser and radar.

Other:

One-Year Ticket Rebate Program
Three-Year Warranty

This product has been designed and certified to comply with Part 15 of the FCC Rules. Any changes or modifications not expressly approved by Rocky Mountain Radar may void your authority to use this product. Operation is subject to the following two conditions: (1) this device may not cause harmful interference, and (2) this device must accept any interference received, including interference that may cause undesired operation. Radar detectors are **not** legal in Washington D.C., Virginia or most provinces in Canada.

2

Installation:

1) Complete, sign, and mail Ticket Rebate Registration card.

2) Attach the windshield bracket to the RMR-C450 unit. Align the edge on the bracket with the slot opening on the front of the case. Slide the bracket into the case until it locks into place.

3) Place the windshield bracket in the upper center portion of the windshield. The ideal position will be right below the rearview mirror. Press suction cups firmly against windshield to adhere suction cups. Note: Tinted glass will degrade the laser performance.

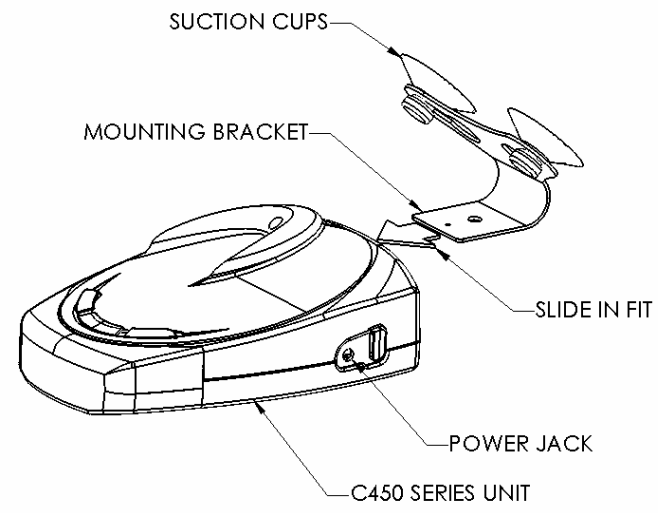
4) Bend the windshield bracket mount to a level position.

5) The RMR-C450 will hang from the bottom of the bracket and must have an unobstructed view of the road ahead.

6) Insert the small end of the power cord gently into the power jack on the right side of the unit and the large end into the cigarette lighter receptacle.

Remote mounting is not recommended.

Hard wire: Remove cigarette lighter plug. Install a 2-amp fast acting type in-line fuse to the black with white stripe wire. Connect the black with white stripe wire to +12 Volts, and then connect the solid black wire to ground.



3

CONTROLS: There are 3 buttons on top of the RMR-C450: Dim, Mute and City.

Dim: Press the Dim button for a split second (momentary contact) to dim the alarm lights. There are 3 levels of

illumination. To brighten the alarm lights press the dim button again. The voice will announce “dim”, “dimmer”, “dark”, and “bright” accordingly. If system “Voice” is set to “off”, the voice will be replaced with two beeps for “dim”, “dimmer” and “dark”, and one beep for “bright”.

Mute: Press the Mute button for a split second (momentary contact) to disable the alarm speaker for quiet operation. To reactivate the alarm speaker press the Mute button again. The voice will announce “mute on” and “mute off” accordingly. If system “Voice” is set to “off”, the voice will be replaced with two beeps for “mute on” and one beep for “mute off”.

Auto-Mute: Press the Mute button for a split second (momentary contact) to disable the alarm speaker for quiet operation. In Auto-Mute operation it will beep the signal 3 times then switch to mute automatically. The voice will announce “auto-mute on” and “auto-mute off” accordingly.

City: Engage the City function to reduce false alarms in high RF noise areas. City function has 3 levels of sensitivity, City 1, City 2, and Highway mode. Press the City button for a split second (momentary contact). With City 1 mode “X” Band will be turned off and K – Ka sensitivity will remain 100% active. City 2 mode “X”

Band will remain off and K – Ka sensitivity will reduce to 50% sensitivity. Highway mode has all bands at 100% sensitivity. The voice will announce “city 1”, “city 2”, and “highway” accordingly. If system “Voice” is set to “off”, the voice will be replaced with two beeps for “city 1”, three beeps for “city 2” and one beep for “highway”.

Bi-lingual: To select bi-lingual mode from English to Spanish or Spanish to English, power off the unit, press and hold the Dim button down while turning power back on the unit.

Selectable Tone: The RMR-C450 has selectable tones. To change the tone of the unit, press and hold the Mute button down for an extended period of time (approximately 3 to 5 seconds). A flat tone buzz changes the tone. Three beeps returns the setting to normal.

4

Selectable VG2: To **activate** VG-2 detection, press and hold the City button down for an extended period of time (approximately 3 to 5 seconds) until unit announces “VG2 on”. VG-2 detection is now activated. To **deactivate** press and hold the City button for an extended period of time (approximately

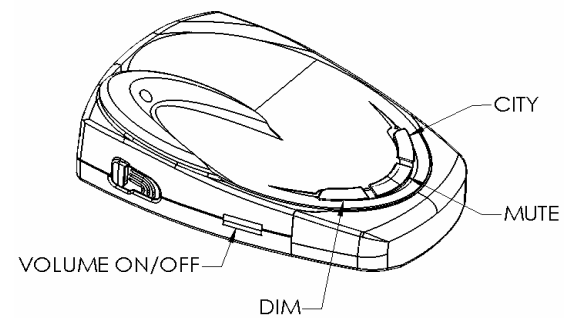
3 to 5 seconds) until unit announces “VG2 off”. VG-2 is now off. If system “Voice” is set to “off”, the voice will be replaced with three beeps for “VG2 on” and a flat tone buzz for “VG2 off”.

Voice On/Off: To turn the voice on and off press and hold the Dim button down for an extended period of time (approximately 3 to 5 seconds) until the unit responds “voice on” or “voice off”.

Reminder! The C450 will memorize the settings of the features above when the unit is powered off. Be sure to readjust the settings to your normal preferences.

Test Function: To run the system diagnostics check on the unit press and hold down both the Dim and City buttons simultaneously for an extended period of time (approximately 3 to 5 seconds). The unit will perform a test sequence to verify all systems are operating properly. Once the diagnostics test is completed, the unit will remain with all LEDs lit. To reset the unit press any button: Dim, Mute, or City. This test is also performed automatically when the unit is powered on.

Power and Volume: Power is provided through the thumb wheel switch on the left side of the unit. Rotate the wheel forward to turn on and increase the volume for the alarm.



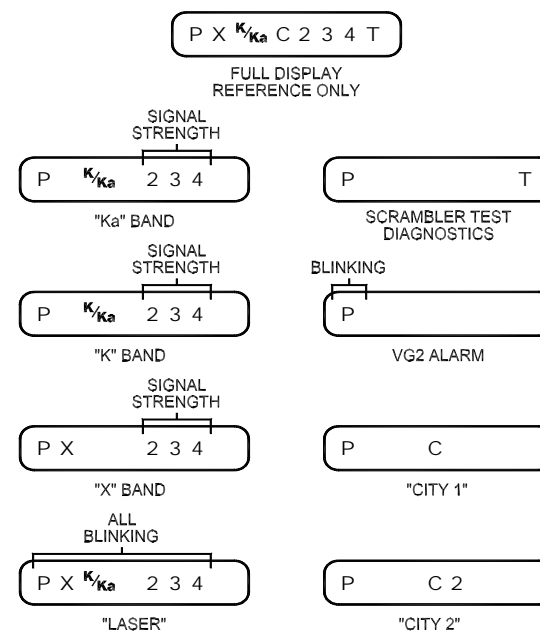
Rocky Mountain Radar does not condone the use of excessive speed on the highways, nor does it endorse breaking the speed limit laws of the United States of America. Please drive safely when using this or any other electronic product in your vehicle.

Alarms: A separate alert tone will sound for each band of Radar encountered with a different colored light illuminated, (K/Ka-Green), (X-Red), (2, 3, 4-Red). The signal strength indicators are the numbers 2, 3 and 4, the stronger the signal the more numbers indicated will light up. Tone frequency will increase as signal strength becomes stronger. All alarm lights (X, K/Ka, 2, 3, 4) will flash when Laser is detected.

Signal Strength: Signal Strength will be first indicated by the illumination of the LED of the band detected, then the three numbers 2, 3, and 4 red LED's. When all three are illuminated the signal is strongest.

VG-2: VG-2 detection is indicated with a separate alarm along with the yellow power light (P) blinking. The detector is undetectable by VG-2.

Diagnostics: The RMR-C450 has a full internal automatic diagnostic system. If the power light goes off and remains off, check the 2-amp fuse in the power cord by unscrewing the silver tip and removing the fuse. If the fuse is good (wire inside the fuse unbroken), return the unit for service.



Warranty

The RMR-C450 is guaranteed against defects in workmanship and materials for 36 months from the date of purchase. Should any malfunction occur, the unit would be repaired or replaced by the factory at

no charge. You may have your unit checked free of charge at the factory during this warranty period.

Returns should be sent freight prepaid with an explanation of the problem, your physical address (no PO Boxes), proof of purchase, and **telephone number**.

Send to:

ROCKY MOUNTAIN RADAR
6469 Doniphan Drive
El Paso TX 79932
Phone: 915-587-0307 Fax: 915-587-6408

We do not accept COD shipments
We do not accept freight collect shipments

Accessories

The following accessories and parts are available:

Windshield mount	\$ 5.00
Suction Cups (set of 3)	\$ 2.00

2 amp fuses (two each)	\$ 2.00
Power Cord	\$ 5.00
Replacement Owners Manual	\$ 3.50

A **\$10.00** shipping and handling fee will be added to the total of each order.

VISA/MC and Discover Accepted

Tamper Fee

Tampering with, disassembly, or modification of this product voids the warranty and a tamper fee of **\$150.00** will be charged to repair it.

Manufactured Exclusively by
Rocky Mountain Radar in the USA